



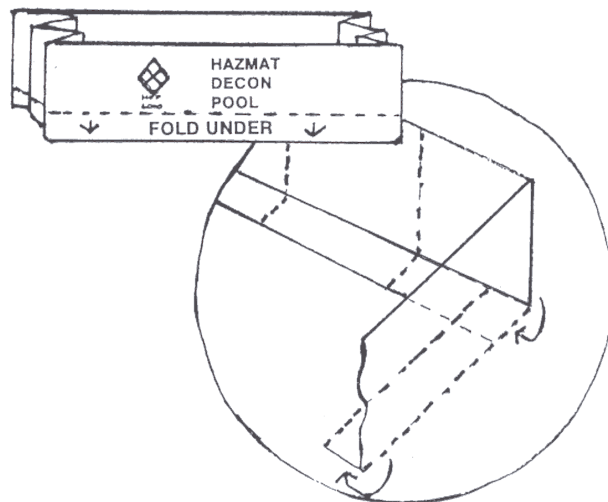
**HDP-6000**  
**HAZMAT DECON POOL**

**PLEASE READ!**

**Important Assembly Instructions:**

1. Place HDP-6000 on ground. It is recommended that a protective ground covering tarp be used to prevent ground contamination and protect pool liner.
2. Pull system fully open. (Should appear as 5' x 5' square)
3. Fold lower ¼ of side panels under toward center of pool at 90 degree angles. (See illustration)
4. Pool is now ready to use.

**NOTE:** In order to prevent the Hazmat Decon Pool from shifting around on windy days, it is recommended that the Hazmat Decon Shower or approximately one inch of water be put into the pool immediately after being set up.



Manufactured by:  
RMC Medical, Inc.  
3019 Darnell Road  
Philadelphia, PA 19154-3201  
Tel: 215-824-4100  
Fax: 215-824-1371  
Web: [rmcmedical.com](http://rmcmedical.com)  
Email: [rmcmedical@cs.com](mailto:rmcmedical@cs.com)